

# Strong SUPER TROUPER Medium Throw

Model #83062

*“Follow with the Leader”*

## F E A T U R E S

- ✓ “Cold” Metal Reflector, 5600° K.
- ✓ Six-Color, Self-Cancelling Boomerang with Color Filters
- ✓ Ultraviolet Filter Available
- ✓ Horizontal Masking Control/Masking Shutter Blades
- ✓ Manual Dimming Control
- ✓ Nichrome Steel Iris
- ✓ Spot Size and Edge Focus Controls
- ✓ Collapsible, Selectable-Height Floor Stand with adjustable Friction Controls for both Vertical and Horizontal movement
- ✓ Remote “On-Off” Control Capability
- ✓ Elapsed Hour Meter & DC Ammeter on Lamphouse Instrument Panel
- ✓ Shock Mount Eliminates Need to Remove Xenon Bulb while Transporting\*
- ✓ Available in “Lo-Boy” Model

\* See Instruction Manual for Details



*The Standard by which  
All Other Spotlights  
are Measured*

The Strong Xenon Super Trouper (Medium Throw) is a versatile, high-intensity follow spotlight suitable for trouping or fixed installation. The Medium Throw Super Trouper offers the same features as the other Xenon Super Troupers, and has been time-tested for flawless performance. Look to this model for those unique jobs in the 100' (30m) to 200' (60m) distances.



# XENON SUPER TROUPER Medium Throw

## XENON SUPER TROUPER Medium Throw

1600 W. Xenon

Figures based on measurements at 100', 72% field coverage, with new bulb

Throw Distance		Largest (Flood) with Iris open				Small (Spot) with Iris open				Minimum Diameter Iris closed			
		Diameter		Intensity		Diameter		Intensity		Diameter		Intensity	
Feet	Metres	Feet	Metres	FC	Lux	Feet	Metres	FC	Lux	Inches	Metres	FC	Lux
50	16.4	13	4	333	3,584	5.6	2	2,867	30,861	8	0.2	2,867	30,861
70	23	18.2	5.5	170	1,829	7.8	2.4	1,463	15,745	11.2	0.28	1,463	15,745
100	32.8	26	8	83	896	11.2	3.4	717	7,715	16	0.4	717	7,715
120	39.4	31.2	9.5	58	622	13.4	4.1	498	5,358	19.2	0.49	498	5,358
150	49.2	39	11.8	37	398	16.8	5.1	319	3,429	24	0.61	319	3,429
170	55.8	44.2	13.4	29	310	19	5.8	248	2,670	27.2	0.69	248	2,670
200	65.6	52	15.8	21	224	22.4	6.8	179	1,929	32	0.81	179	1,929

## SPECIFICATIONS

### Letter/Description/Dimension

- A Overall length of unit ..... 56"
- Length of head unit (without boomerang) ..... 50"
- B Overall width of unit ..... 45"
- C\* Overall height of unit ..... 62"
- D\* Height of pivot point ..... 50"
- E\* Height of beam when horizontal ..... 53"
- F Front clearance radius for vertical movement ..... 43"
- G Front clearance radius for horizontal movement ..... 30"
- H Rear clearance radius for vertical movement ..... 43"
- I Rear clearance radius for horizontal movement ..... 37"
- J Width of head unit (without boomerang) ..... 12"
- K Width of boomerang ..... 15"
- L Height of boomerang ..... 18½"
- M Height of head unit ..... 20"

## XENON SUPER TROUPER Medium Throw

1000 W. Xenon

Figures based on measurements at 100', 72% field coverage, with new bulb

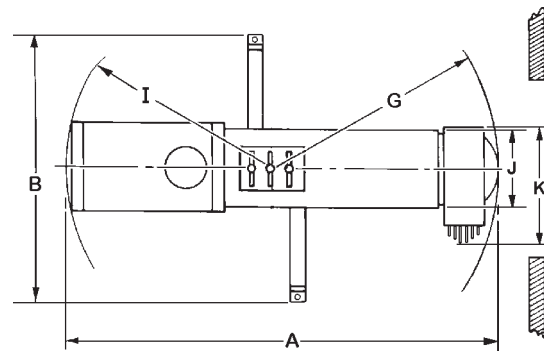
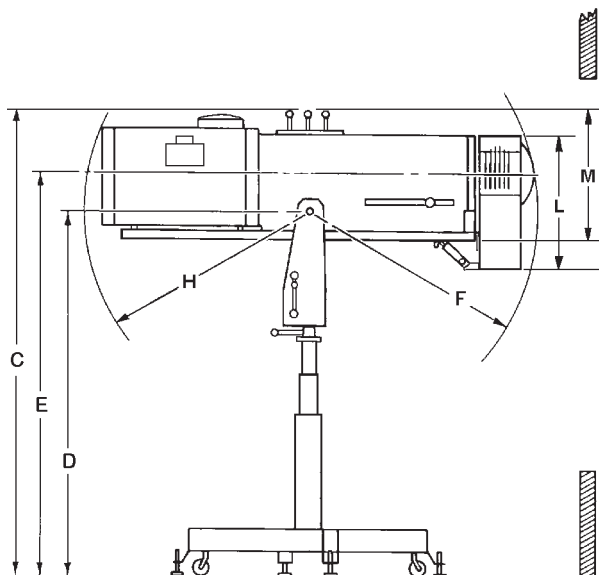
Throw Distance		Largest (Flood) with Iris open				Small (Spot) with Iris open				Minimum Diameter Iris closed			
		Diameter		Intensity		Diameter		Intensity		Diameter		Intensity	
Feet	Metres	Feet	Metres	FC	Lux	Feet	Metres	FC	Lux	Inches	Metres	FC	Lux
50	16.4	13	4	200	2,152	5.6	2	1,720	18,513	8	0.2	1,720	18,513
70	23	18.2	5.5	102	1,098	7.8	2.4	878	9,450	11.2	0.28	878	9,450
100	32.8	26	8	50	538	11.2	3.4	430	4,628	16	0.4	430	4,628
120	39.4	31.2	9.5	34.7	373	13.4	4.1	298	3,207	19.2	0.49	298	3,207
150	49.2	39	11.8	22.2	238	16.8	5.1	191	2,055	24	0.61	191	2,055
170	55.8	44.2	13.4	17.3	186	19	5.8	149	1,601	27.2	0.69	149	1,601
200	65.6	52	15.8	12.5	134	22.4	6.8	107	1,157	32	0.81	107	1,157

- Maximum height at rear with maximum downward tilt ..... 82"
- Maximum height at front with maximum upward tilt ..... 80"

- Maximum downward tilt ..... 45°
- Maximum upward tilt ..... 25°
- Horizontal sweep ..... 360°

- Net weight:
  - Spotlight Head & Base ..... 194 lb.
  - Power Supply ..... 42 lb.
- Gross weight (crated) ..... 562 lb.
- Domestic pack shipping crate ..... 79" x 26" x 37"

\* Measurements shown with spotlight at lowest height. Adjustable upward in two increments of (4) inches.



### Strong Entertainment Lighting

4350 McKinley Street • Omaha NE 68112 USA  
Tel 402/453-4444 • Fax 402/453-7238