

Strong SUPER TROUPER[®] Short Throw

Model #83061, 83081

“Follow with the Leader”

F E A T U R E S

- ✓ “Cold” Metal Reflector, 5600° K.
- ✓ Six-Color, Self-Cancelling Boomerang with Color Filters
- ✓ Ultraviolet Filter Available
- ✓ Horizontal Masking Control/Masking Shutter Blades
- ✓ Manual Dimming Control
- ✓ Nichrome Steel Iris
- ✓ Spot Size and Edge Focus Controls
- ✓ Collapsible, Selectable-Height Floor Stand with adjustable Friction Controls for both Vertical and Horizontal movement
- ✓ Remote “On-Off” Control Capability
- ✓ Elapsed Hour Meter & DC Ammeter on Lamphouse Instrument Panel
- ✓ Shock Mount Eliminates Need to Remove Xenon Bulb while Transporting*
- ✓ Available in “Lo-Boy” Model

* See Instruction Manual for Details



*The Standard by which
All Other Spotlights
are Measured*

The Strong Xenon Super Trouper (Short Throw) is a high-intensity follow spotlight suitable for trouping or fixed installation. This compact unit offers Super Troupier quality of light in a smaller package. The Short Throw model is efficient, yet matches the intensity of the Super Troupier at throws of 100' (30m) or less. Strong spotlights have excelled internationally and are asked for by name.



XENON SUPER TROUPER® Short Throw

XENON SUPER TROUPER Short Throw – Model #83081 2000 W. Xenon
 Figures based on measurements at 60', 80% field coverage, with new bulb

Throw Distance		Largest (Flood) with Iris open				Small (Spot) with Iris open				Minimum Diameter Iris closed			
		Diameter		Intensity		Diameter		Intensity		Diameter		Intensity	
Feet	Metres	Feet	Metres	FC	Lux	Feet	Metres	FC	Lux	Inches	Metres	FC	Lux
20	6.6	8.2	2.7	973	10,471	2.3	0.8	9,584	103,165	5.5	0.14	9,584	103,165
40	13.1	16.4	5.4	243	2,618	4.6	1.5	2,396	25,791	11	0.28	2,396	25,791
50	16.4	20.5	6.7	156	1,675	5.8	1.9	1,533	16,506	13.8	0.35	1,533	16,506
60	19.7	24.6	8.1	108	1,163	6.9	2.3	1,065	11,463	16.5	0.42	1,065	11,463
70	23	28.7	9.4	79	855	8.1	2.7	782	8,422	19.3	0.49	782	8,422
80	26.2	32.8	10.8	61	654	9.2	3	599	6,448	22	0.56	599	6,448
90	29.5	36.9	12.1	48	517	10.4	3.4	473	5,095	24.8	0.63	473	5,095
100	32.8	41	13.5	39	419	11.5	3.8	383	4,127	27.5	0.7	383	4,127
120	39.4	49.2	16.1	27	291	13.8	4.5	266	2,866	33	0.84	266	2,866

SPECIFICATIONS

Letter/Description/Dimension

- A Overall length of unit 56"
- Length of head unit (without boomerang) 50"
- B Overall width of unit 45"
- C* Overall height of unit 62"
- D* Height of pivot point 50"
- E* Height of beam when horizontal 53"
- F Front clearance radius for vertical movement 43"
- G Front clearance radius for horizontal movement 30"
- H Rear clearance radius for vertical movement 43"
- I Rear clearance radius for horizontal movement 37"
- J Width of head unit (without boomerang) 12"
- K Width of boomerang 15"
- L Height of boomerang 18½"
- M Height of head unit 20"

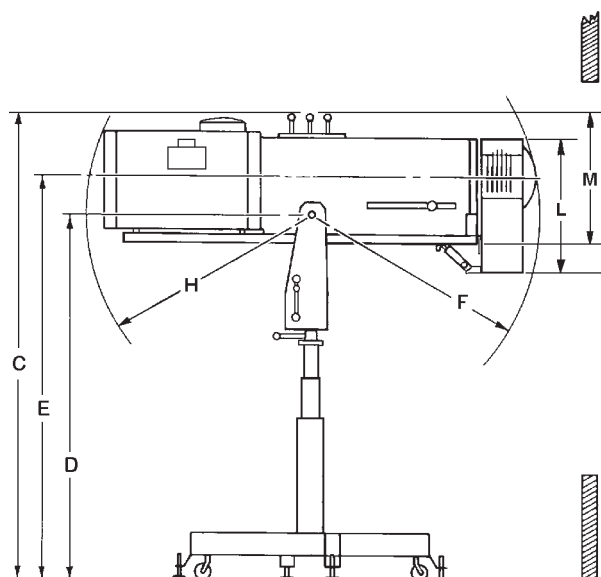
XENON SUPER TROUPER Short Throw – Model #83061 1600 W. Xenon
 Figures based on measurements at 60', 80% field coverage, with new bulb

Throw Distance		Largest (Flood) with Iris open				Small (Spot) with Iris open				Minimum Diameter Iris closed			
		Diameter		Intensity		Diameter		Intensity		Diameter		Intensity	
Feet	Metres	Feet	Metres	FC	Lux	Feet	Metres	FC	Lux	Inches	Metres	FC	Lux
20	6.6	8.2	2.7	812	8,738	2.3	0.8	7,749	83,412	5.5	0.14	7,749	83,412
30	9.8	12.3	4	361	3,884	3.5	1.1	3,444	37,072	8.3	0.21	3,444	37,072
40	13.1	16.4	5.4	203	2,185	4.6	1.5	1,937	20,853	11	0.28	1,937	20,853
50	16.4	20.5	6.7	130	1,398	5.8	1.9	1,240	13,346	13.8	0.35	1,240	13,346
60	19.7	24.6	8.1	90	971	6.9	2.3	861	9,268	16.5	0.42	861	9,268
70	23	28.7	9.4	66	713	8.1	2.7	633	6,809	19.3	0.49	633	9,268
80	26.2	32.8	10.8	51	546	9.2	3	484	5,213	22	0.56	484	5,213
90	29.5	36.9	12.1	40	423	10.4	3.4	383	4,119	24.8	0.63	383	4,119
100	32.8	41	13.5	32	350	11.5	3.8	310	3,336	27.5	0.7	310	3,336

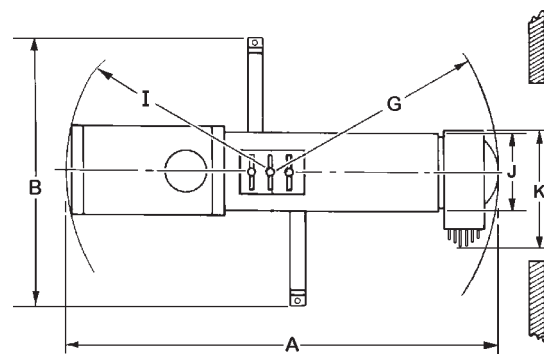
- Maximum height at rear with maximum downward tilt 82"
- Maximum height at front with maximum upward tilt 80"

- Maximum downward tilt 45°
- Maximum upward tilt 25°
- Horizontal sweep 360°

- Net weight:
 - Spotlight Head & Base 194 lb.
 - Power Supply 42 lb.
- Gross weight (crated) 562 lb.
- Domestic pack shipping crate 79" x 26" x 37"



* Measurements shown with spotlight at lowest height. Adjustable upward in two increments of (4) inches.



Strong Entertainment Lighting

4350 McKinley Street • Omaha NE 68112 USA
 Tel 402/453-4444 • Fax 402/453-7238