

Strong GLADIATOR III®

Model #47061

“Follow with the Leader”

F E A T U R E S

- ✓ “Cold” Metal Reflector, 5600° K.
- ✓ Color-Matching Available when Ordering Multiple Units
- ✓ Six-Color, Self-Cancelling Boomerang with Color Filters & Ultraviolet Filter
- ✓ Horizontal Masking Control/Masking Shutter Blades
- ✓ Manual Dimming Control
- ✓ Nichrome Steel Iris
- ✓ Spot Size and Edge Focus Controls
- ✓ Selectable-Height Floor Stand with adjustable Friction Controls for both Vertical and Horizontal movement
- ✓ Remote “On-Off” Control Capability
- ✓ Elapsed Hour Meter & DC Ammeter on Lamphouse Instrument Panel



*The Standard by which
All Other Spotlights
are Measured*

Long the standard of the largest venues in the world, the 3 kW Gladiator III provides the “punch” for throws of up to 450 feet (140m). The high intensity beam, plus the durability and reliability of the unit, make it the choice for many of the largest theaters, arenas, stadiums, and special events.





GLADIATOR III[®]

ELECTRICAL SPECIFICATIONS

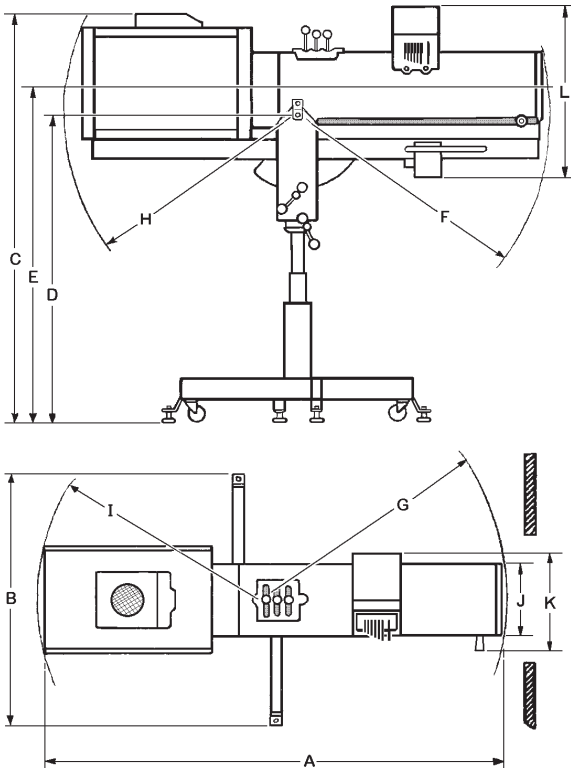
XENON GLADIATOR III – Model #47061

3000 W. Xenon

Figures based on measurements at 100', 72% field coverage, with new bulb

- 3000 watt Xenon Bulb system; input line 1 or 3 phase 208/230 V.AC, 50/60 Hz. Approximate line draw 25 A. nominal sustaining. Fuse for 30 amperes at 220 V.AC.
- Continuous Duty Cycle
- Quick-Disconnect MS Connector contains all AC & DC leads
- Xenon Power Supply is 88% efficient; ripple does not exceed 3% peak-to-peak, and inrush current does not exceed 180%

Throw Distance		Largest (Flood) with Iris open				Small (Spot) with Iris open				Minimum Diameter Iris closed			
		Diameter		Intensity		Diameter		Intensity		Diameter		Intensity	
Feet	Metres	Feet	Metres	FC	Lux	Feet	Metres	FC	Lux	Inches	Metres	FC	Lux
100	32.8	18	5.9	253	2,723	5.6	1.8	2,128	22,901	13	0.33	2,128	22,901
120	39.4	21.6	7.1	176	1,891	6.7	2.2	1,477	15,903	15.6	0.4	1,477	15,903
150	49.2	27	8.9	112	1,210	8.4	2.8	946	10,178	19.5	0.5	946	10,187
170	55.8	30.6	10	88	942	9.5	3.1	736	7,924	22.1	0.56	736	7,924
200	65.6	36	11.8	63	681	11.2	3.7	532	5,725	26	0.66	532	5,725
220	72.2	39.6	13	52	563	12.3	4	440	4,732	28.6	0.73	440	4,732
250	82	45	14.8	40	436	14	4.6	340	3,664	32.5	0.83	340	3,664
270	88.6	48.6	15.9	35	374	15.1	5	292	3,141	35.1	0.89	292	3,141
300	98.4	54	17.7	28	303	16.8	5.5	236	2,545	39	0.99	236	2,545
320	105	57.6	18.9	25	266	17.9	5.9	208	2,236	41.6	1.06	208	2,236
370	121.4	66.6	21.9	18	199	20.7	6.8	155	1,673	48.1	1.22	155	1,673
400	131.2	72	23.6	16	170	22.4	7.3	133	1,431	52	1.32	133	1,431



MECHANICAL SPECIFICATIONS

Letter/Description/Dimension

A	Overall length of unit	85½"	L	Overall height of head unit	30"
B	Overall width of unit	45"	-	Height from base rail	27"
C*	Overall height of unit	69"			
D*	Height of pivot point	43"		Maximum height at rear with maximum downward tilt*	85½"
E*	Height of beam when horizontal	47"		Maximum height at front with maximum upward tilt*	84"
F	Front clearance radius for vertical movement	46½"			
G	Front clearance radius for horizontal movement	47"		Maximum downward tilt	45°
H	Rear clearance radius for vertical movement	41"		Maximum upward tilt	25°
I	Rear clearance radius for horizontal movement	40"		Horizontal sweep	360°
J	Width of lens barrel (without boomerang)	13½"		Net weight:	
K	Overall width of optical system	16"		Spotlight Head & Base	691 lb.
				Power Supply	42 lb.
				Gross weight (crated)	810 lb.
				Domestic pack shipping crate	96" x 48" x 27"

* Measurements shown with spotlight at lowest height. Adjustable upward in two increments of (4) inches.

Strong Entertainment Lighting

4350 McKinley Street • Omaha NE 68112 USA

Tel 402/453-4444 • Fax 402/453-7238