

# *Strong* SUPER TROUPER II®

Model #24000

*“Follow with the Leader”*

## F E A T U R E S

- ✓ “Cold” Metal Reflector, 5600° K.
- ✓ Arc Viewing Port on Lamphouse Door
- ✓ Six-Color, Self-Cancelling Boomerang with Color Filters
- ✓ Horizontal Masking Control/Masking Shutter Blades
- ✓ Manual Dimming Control
- ✓ Nichrome Steel Iris
- ✓ Spot Size and Edge Focus Controls
- ✓ Collapsible, Selectable-Height Floor Stand with adjustable Friction Controls for both Vertical (Tilt) and Horizontal (Pan) movement
- ✓ Two Elapsed Hours Readings: “Bulb” (resetable) and “Spotlight” (permanent)



*The Standard by which  
All Other Spotlights  
are Measured*

The Strong Super Trouper II fills a major void in the spotlight market by producing 10% more light in a structure that is 20% lighter and 25% smaller than comparable units. The heavy-duty construction of the Super Trouper II features a steadier beam, a completely new optical system, and controls that can be manipulated from either side





# SUPER TROUPER II<sup>®</sup>

## ELECTRICAL SPECIFICATIONS

- Listed by Underwriters Laboratories\*
- Pulse Igniter operates from DC open circuit voltage and requires no AC control circuit
- Quick-Disconnect MS Connector contains all AC & DC leads
- Xenon Power Supply is 88% efficient; ripple does not exceed 3% peak-to-peak, and inrush current does not exceed 180%
- Digital DC volt/ammeter display includes a micro-processor "Troubleshooting" readout

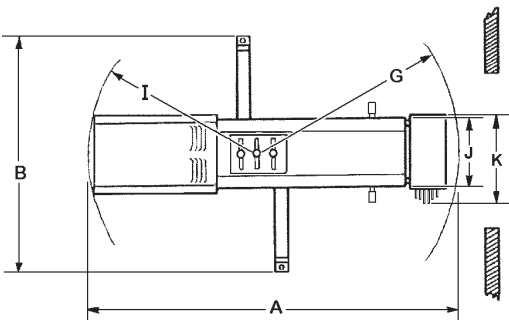
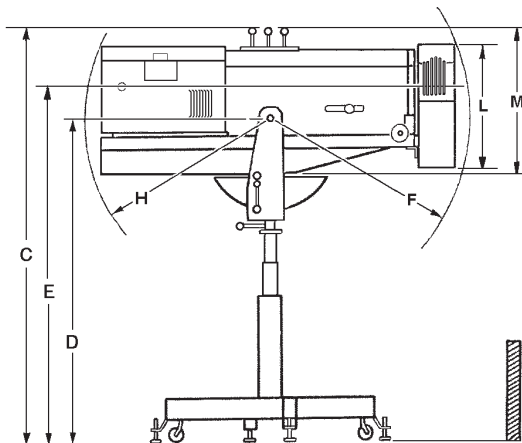
\* U.L. File No. E181401

## SUPER TROUPER II – Model #24000

2000 W. Xenon

Figures based on measurements at 62', 80% field coverage, with new bulb

Throw Distance		Largest (Flood) with Iris open				Small (Spot) with Iris open				Minimum Diameter Iris closed			
		Diameter		Intensity		Diameter		Intensity		Diameter		Intensity	
Feet	Metres	Feet	Metres	FC	Lux	Feet	Metres	FC	Lux	Inches	Metres	FC	Lux
50	16.4	11	3.6	636	6,845	3.6	1.2	5,200	55,970	10	0.25	5,200	55,970
70	23	15.4	5.1	324	3,493	5	1.7	2,653	28,555	14	0.36	2,653	28,555
100	32.8	22	7.2	159	1,712	7.2	2.4	1,300	13,994	20	0.51	1,300	13,994
120	39.4	26.4	8.7	110	1,189	8.6	2.8	903	9,708	24	0.61	903	9,718
150	49.2	33	10.8	71	761	10.8	3.5	578	6,219	30	0.76	578	6,219
170	55.8	37.4	12.3	55	592	12.2	4	450	4,842	34	0.86	450	4,842
200	65.6	44	14.4	40	428	14.4	4.7	325	3,498	40	1.02	325	3,498
250	82	55	18	25	274	18	5.9	208	2,239	50	1.27	208	2,239
270	88.6	59.4	19.5	22	235	19.4	6.4	178	1,920	54	1.37	179	1,920
300	98.4	66	21.7	18	190	21.6	7.1	144	1,555	60	1.52	144	1,555
350	115	77	25.3	13	471	25.2	8.3	106	1,142	70	1.83	106	1,142
360	118	79.2	26	12	132	25.9	8.5	100	1,080	74	1.83	100	1,080



## MECHANICAL SPECIFICATIONS

### Letter/Description/Dimension

A Overall length of unit .....	58"	L Height of boomerang .....	19"
- Length of head unit (without boomerang) .....	52"	M Height of head unit .....	22½"
B Overall width of unit .....	45"	Maximum height at rear with maximum downward tilt* .....	76"
C* Overall height of unit .....	64"	Maximum height at front with maximum upward tilt* .....	72"
D* Height of pivot point .....	46½"	Maximum downward tilt .....	60°
E* Height of beam when horizontal .....	45"	Maximum upward tilt .....	45°
F Front clearance radius for vertical movement .....	33"	Horizontal sweep .....	360°
G Front clearance radius for horizontal movement .....	34"	Net weight:	
H Rear clearance radius for vertical movement .....	29"	Spotlight Head .....	190 lb.
I Rear clearance radius for horizontal movement .....	26"	Base Stand .....	77 lb.
J Width of head unit (without boomerang) .....	13"	Power Supply .....	42 lb.
K Width of boomerang .....	16"	Gross weight (crated) .....	595 lb.
		Domestic pack shipping crate .....	72" x 26" x 48"

\* Measurements shown with spotlight at lowest height. Adjustable upward in two increments of (4) inches.

### Strong Entertainment Lighting

4350 McKinley Street • Omaha NE 68112 USA

Tel 402/453-4444 • Fax 402/453-7238