



F E A T U R E S

- ✓ Leading Edge Xenon Technology
- ✓ 10,000 Watt Searchlight mounted to a Rotating Yoke
- ✓ Precision Nickel Electroformed Reflector specifically coated for continuous high output performance
- ✓ Color Temperature constant at 5600° (Kelvin)
- ✓ Focusable Beam
- ✓ Rotates a full 360° continuously in either direction
- ✓ Exclusively Designed Mechanics and High Reflective Optics
- ✓ Tempered Glass Lamphead Window
- ✓ Rotation Speed Control
- ✓ Trailer/Generator Mount - optional

SkySweep



Creative Application of Xenon Light Technology

The SkyTracker **SkySweep** is a single-head rotating xenon searchlight for all high intensity promotional and architectural applications.

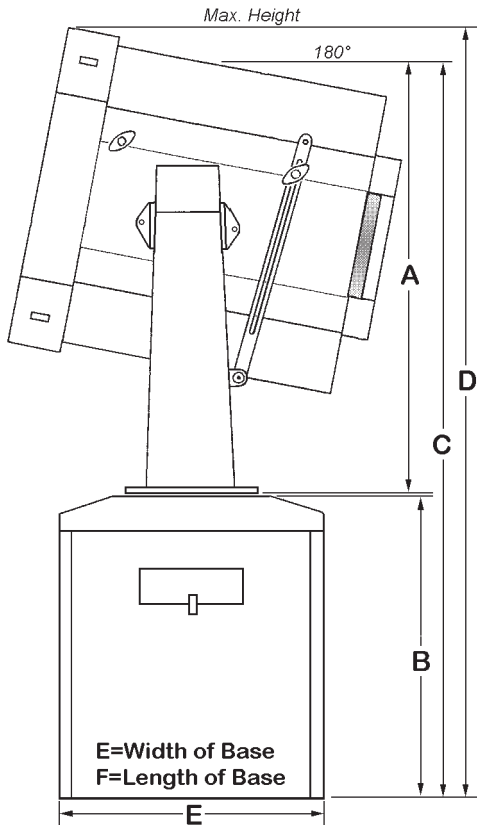
All systems allow users the ability to project a stationary beam or a rotating beacon.





SkySweep

TECHNICAL SPECIFICATIONS



Color Temperature (xenon lamp) 5600° Kelvin
 Operating Temperature 0° F. to 120° F.
 (-18° C. to +50° C.)

Cooling System Forced Air
 Peak Beam Candlepower 1 Billion

- A 53.5 in. (1.35m)
- B..... 39.25 in. (99.6cm)
- C..... 92.75 in. (2.35m)
- D 98 in. (2.5m)
- E..... 31 in. (78.7cm)
- F..... 53 in. (1.35m)

Lamphead Dimensions:

36 in. High, 36 in. Wide, 41.5 in. Long
 (91.4cm H x 91.4cm W x 1.05m L)

AC Input

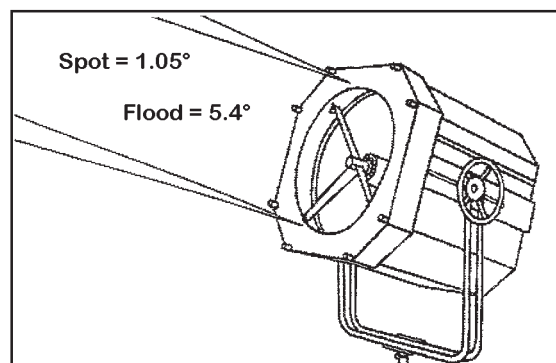
208/230 Volts, 3 phase, 50/60 Hz. 50 Amperes*

DC Output

40-50 Volts, 130-160 Amperes

* International voltages available

LAMP FOCUS	DISTANCE	BEAM DIAMETER	FOOT CANDLES
Full Spot	300 ft.	97 in.	2,300
Full Flood	300 ft.	373 in.	580



Strong Entertainment Lighting

4350 McKinley Street • Omaha NE 68112 USA
 Tel 402/453-4444 • Fax 402/453-7238